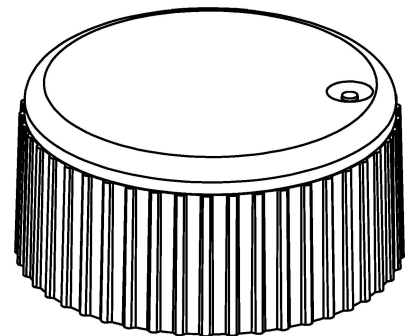
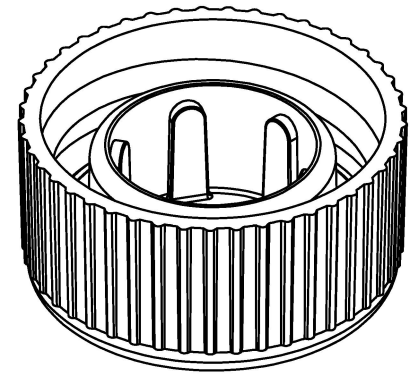
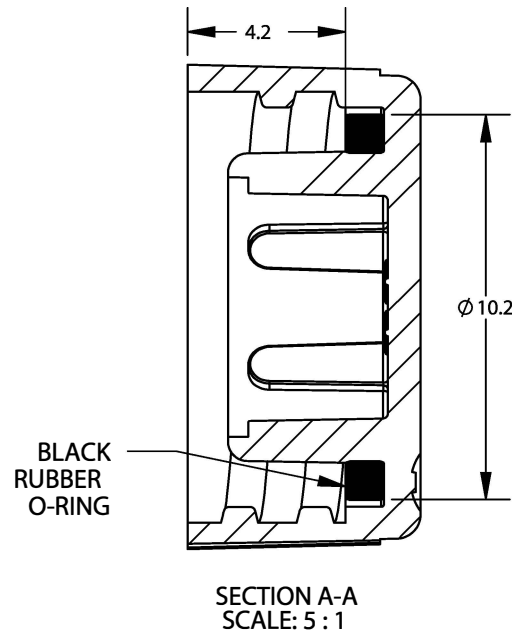
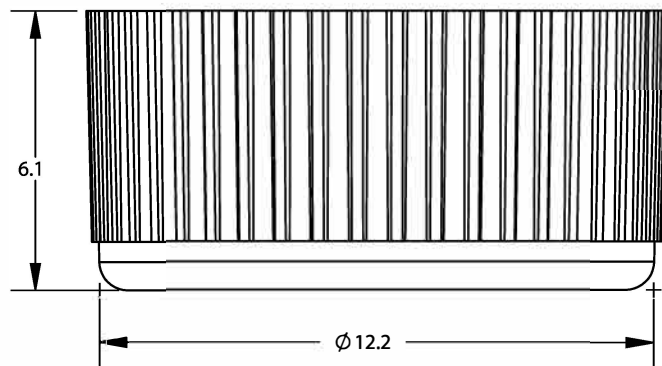
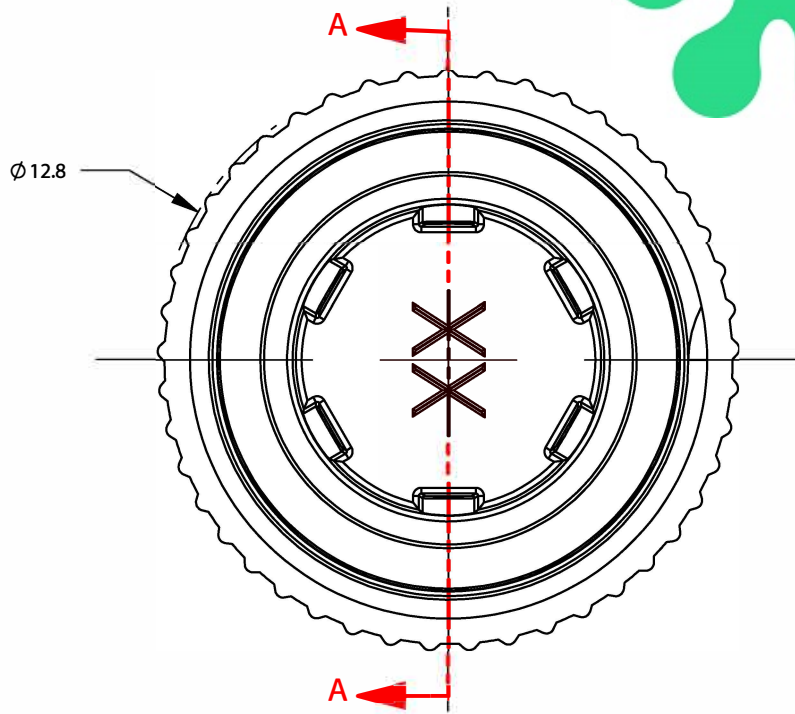




westburg
LIFE SCIENCES



WB 7225 2.0mL SKIRTED GRADUATED SCREW TUBE AND CAP

Arnhemseweg 87
3832 GK Leusden
The Netherlands

P.O. Box 214
3830 AE Leusden
The Netherlands

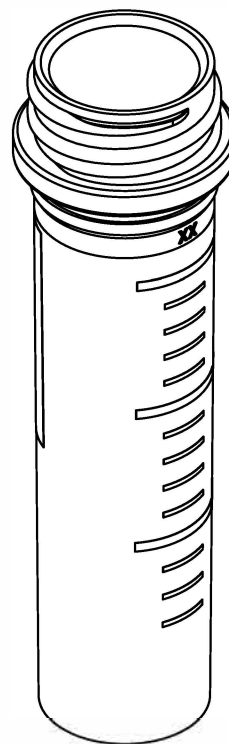
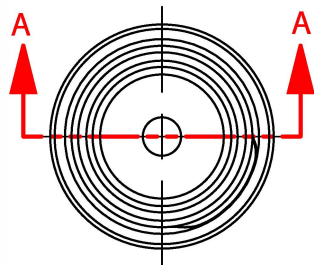
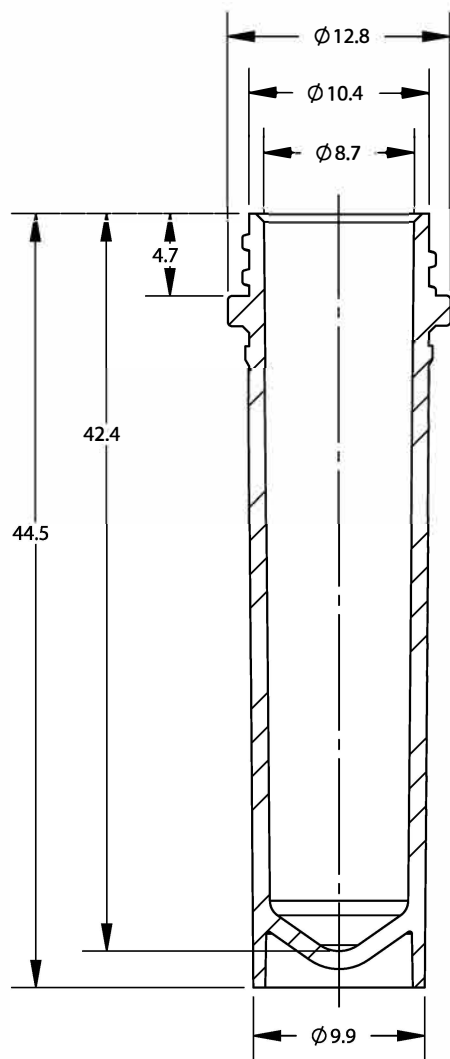
+31 33 495 0094
info@westburg.eu
www.westburg.eu

IBAN NL78RABO0168460297
NL005049532B01
KvK 31024246





westburg
LIFE SCIENCES



SECTION A-A
SCALE: 2.3 : 1

WB 7225 2.0mL SKIRTED GRADUATED SCREW TUBE AND CAP

Arnhemseweg 87
3832 GK Leusden
The Netherlands

P.O. Box 214
3830 AE Leusden
The Netherlands

+31 33 495 0094
info@westburg.eu
www.westburg.eu

IBAN NL78RABO0168460297
NL005049532B01
KvK 31024246

